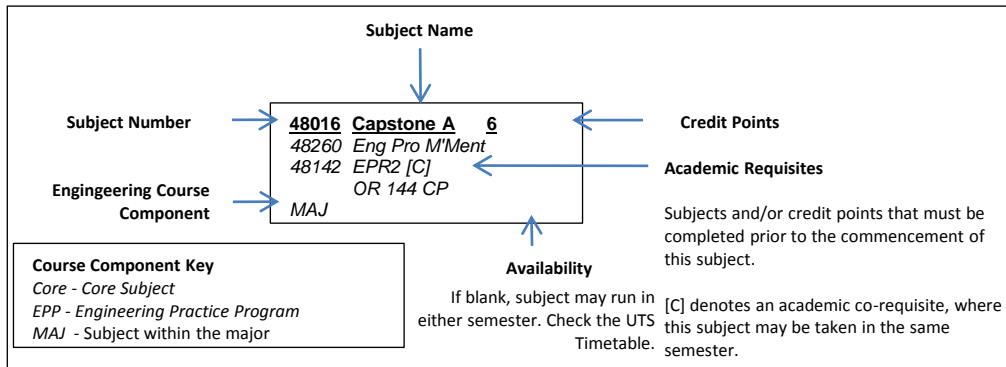


UTS: Engineering Course Template

Course: C09070v1 BE (Honours) BBus MAJ03030 Mechanical Engineering

Aut Stage 1	Spr Stage 2	Aut Stage 3	Spr Stage 4	Aut Stage 5	Spr Stage 6	Aut Stage 7	Spr Stage 8	Aut Stage 9	Spr Stage 10
33130 Maths Mod 1 6 <i>Core</i>	33230 Maths Mod 2 6 33130 Maths Mod 1 <i>Core</i>	48621 Manufacturing 6 Eng 48610 Intro to M&M Eng <i>MAJ</i>	48240 Design & Inno 6 Fundamentals 33130 Maths Mod 1 48230 Eng Comm <i>Core</i>	48260 Eng Proj Man 6 48240 Design&Inno Fund 48122 EPR1 OR 96 CP <i>Core</i>	48660 Dynamics 6 & Control 48640 Machine Dynamics <i>MAJ</i>	48642 Strength of 6 Eng Materials 48331 Mech of Solids <i>MAJ</i>	48650 Mech Design 2 6 48600 Mech Design 1 48642 Str of Eng Mat <i>MAJ</i>	41029 Eng Research 6 Prep <i>MAJ</i>	41030 Eng Capstone 6 <i>MAJ</i>
68037 Phys Mod 6 <i>Core</i>	48230 Eng Comm 6 <i>Core</i>	48510 Intro to Elec 6 Eng <i>MAJ</i>	48331 Mech of Solids 6 48321 Eng Mechanics OR 48620 Fund Mech Eng <i>MAJ</i>	48600 Mech Design 1 6 48331 Mech of Solids 48621 Manufacturing Eng 48240 Design&Inno Fund <i>MAJ</i>	48651 Thermo- 6 dynamics 33230 Maths Mod 2 68037 Phys Mod <i>MAJ</i>	48221 Engineering 6 Computations 33130 Maths Mod 1 <i>MAJ</i>	Select one of: 6 48601 Mech Vibration 48661 Heat Transfer <i>MAJ</i> SPR	Select one of: 6 48661 Heat Transfer 48663 Adv Manufactur <i>MAJ</i> AUT	48670 M&M Design 6 48650 Mech Design 2 <i>MAJ</i>
48610 Intro to M&M 6 Eng <i>MAJ</i>	60101 Chem & 6 Materials Sci 0 <i>MAJ</i>	48620 Fund Mech Eng 6 48610 Intro to M&M Eng 68037 Phys Mod 33130 Maths Mod 1 <i>MAJ</i>	48640 Machine 6 Dynamics 0 48620 Fund of Mech Eng <i>MAJ</i>	48641 Fluid Mech 6 33230 Maths Mod 2 <i>MAJ</i>	25300 Fund of 6 Business Finance 26100 Integ Bus Pers [C]	business major	business major	business major	business major
26100 Integrating 6 Business Persp	22107 Accounting for 6 Bus Decisions A 26100 Integ Bus Pers [C]	23115 Eco for 6 Business 26100 Integ Bus Pers [C]	21129 Managing Peopl 6 and organisation 26100 Integ Bus Pers [C]	22207 Accounting for 6 Bus Decisions B 22107 Acc for Bus Dec A	24108 Marketing 6 Foundations 26100 Integ Bus Pers [C]	business major	business major	business major	business major
		41035 EPP1 3 <i>EPP</i>					41028 Eng Work Exp 0 <i>EPP</i>	41055 Eng Workplace 3 Reflection <i>EPP</i>	



UTS Timetable remains the definitive source on subject availability
Your study plan defines course requirements
For further assistance, contact Student Centre at 1300 275 887