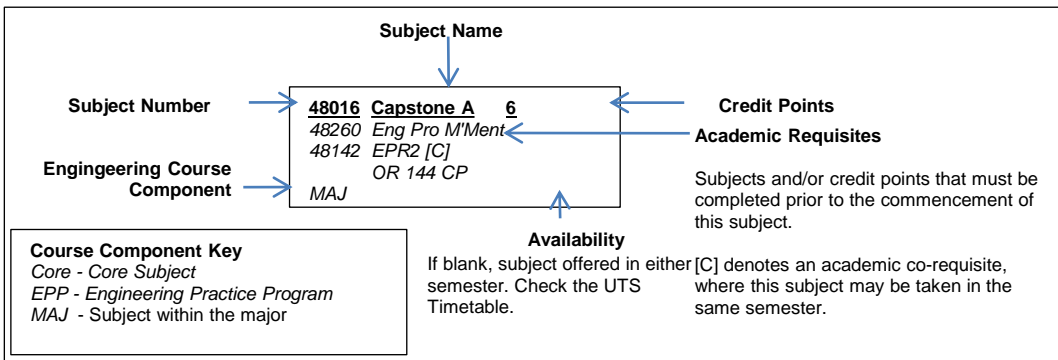


UTS: Engineering Course Template

Course: C10061v6 BE Dip Eng Prac Major: Biomedical Engineering

Stage 1	Stage 2	Stage 3	Stage 4	Stage 5	Stage 6	Stage 7	Stage 8	Stage 9	Stage 10																									
<table border="1"> <tr> <td>33130 Maths Mod 1 6 <i>Core</i></td> <td>33230 Maths Mod 2 6 33130 Maths Mod 1 <i>Core</i></td> <td>48240 Design & Inno Fundamentals 6 33130 Maths Mod 1 48230 Eng Comm <i>Core</i></td> <td rowspan="4" style="writing-mode: vertical-rl; transform: rotate(180deg);">48110 Engineering Practice 1</td> <td>48250 Eng Eco & Fin 6 48110 EE1 48230 Eng Comm 48240 Design&Inno Fund <i>Core</i></td> <td>48260 Eng Proi Man 6 48240 Design&Inno Fund 48122 EPR1 OR 96 CP <i>Core</i></td> <td>48270 Entrepreneur' & 6 Commercialisation 120cp <i>Core</i></td> <td rowspan="4" style="writing-mode: vertical-rl; transform: rotate(180deg);">48130 Engineering Experience 2</td> <td>48016 Capstone A 6 48260 Eng Pro M'Ment 48142 EPR2 [C] OR 144 CP <i>MAJ</i></td> <td>48026 Capstone B 6 48016 Capstone A <i>MAJ</i></td> </tr> <tr> <td>48230 Eng Comm 6 <i>Core</i></td> <td>48023 Programming 6 Fundamentals OR 48221 Engineering 6 Computations 33130 Maths Mod 1 <i>MAJ</i></td> <td>91161 Cell Biology 6 & Genetics <i>MAJ</i></td> <td>48520 Elec & Circuits 6 48510 Intro to Elec Eng 33130 Maths Mod 1 <i>MAJ</i></td> <td>Biomedical 6 Thread (Lvl 1 subject) <i>MAJ</i></td> <td>Biomedical 6 Thread (Lvl 1 subject) <i>MAJ</i></td> <td>Biomedical 6 Thread (Lvl 2 subject) <i>MAJ</i></td> <td>Biomedical 6 Thread (Lvl 2 subject) <i>MAJ</i></td> </tr> <tr> <td>65111 Chemistry 1 6 <i>MAJ</i></td> <td>68037 Phys Mod 6 <i>Core</i></td> <td>31061 Database Principles 6 <i>MAJ</i></td> <td>48541 Signal Theory 6 33230 Maths Mod 2 <i>MAJ</i></td> <td>41101 Fund of Biomed 6 48541 Signal Theory 48520 Electronics & Circuits 91400 Human Anatomy & Ph <i>MAJ</i> SPR</td> <td>Biomedical 6 Thread (Lvl 1 subject) <i>MAJ</i></td> <td>Elective 6 <i>MAJ</i></td> <td>Elective 6 <i>MAJ</i></td> </tr> <tr> <td>48510 Intro to Elec Eng 6 <i>MAJ</i></td> <td>48441 Intro Dig Sys 6 OR 48622 Mecha 1 6 48510 Intro Elec Eng <i>MAJ</i></td> <td>91400 Human Anat & Physiology 6 <i>MAJ</i> SPR</td> <td>91703 Physio Systems 6 91400 HA & Physiology <i>MAJ</i> AUT</td> <td>91705 Medical Devices 6 91400 Human Anatomy & Ph 68037 Physical Mod [C] <i>MAJ</i> SPR</td> <td>Biomedical 6 Thread (Lvl 1 subject) <i>MAJ</i></td> <td>Elective 6 <i>MAJ</i></td> <td>Elective 6 <i>MAJ</i></td> </tr> </table>	33130 Maths Mod 1 6 <i>Core</i>	33230 Maths Mod 2 6 33130 Maths Mod 1 <i>Core</i>	48240 Design & Inno Fundamentals 6 33130 Maths Mod 1 48230 Eng Comm <i>Core</i>	48110 Engineering Practice 1	48250 Eng Eco & Fin 6 48110 EE1 48230 Eng Comm 48240 Design&Inno Fund <i>Core</i>	48260 Eng Proi Man 6 48240 Design&Inno Fund 48122 EPR1 OR 96 CP <i>Core</i>	48270 Entrepreneur' & 6 Commercialisation 120cp <i>Core</i>	48130 Engineering Experience 2	48016 Capstone A 6 48260 Eng Pro M'Ment 48142 EPR2 [C] OR 144 CP <i>MAJ</i>	48026 Capstone B 6 48016 Capstone A <i>MAJ</i>	48230 Eng Comm 6 <i>Core</i>	48023 Programming 6 Fundamentals OR 48221 Engineering 6 Computations 33130 Maths Mod 1 <i>MAJ</i>	91161 Cell Biology 6 & Genetics <i>MAJ</i>	48520 Elec & Circuits 6 48510 Intro to Elec Eng 33130 Maths Mod 1 <i>MAJ</i>	Biomedical 6 Thread (Lvl 1 subject) <i>MAJ</i>	Biomedical 6 Thread (Lvl 1 subject) <i>MAJ</i>	Biomedical 6 Thread (Lvl 2 subject) <i>MAJ</i>	Biomedical 6 Thread (Lvl 2 subject) <i>MAJ</i>	65111 Chemistry 1 6 <i>MAJ</i>	68037 Phys Mod 6 <i>Core</i>	31061 Database Principles 6 <i>MAJ</i>	48541 Signal Theory 6 33230 Maths Mod 2 <i>MAJ</i>	41101 Fund of Biomed 6 48541 Signal Theory 48520 Electronics & Circuits 91400 Human Anatomy & Ph <i>MAJ</i> SPR	Biomedical 6 Thread (Lvl 1 subject) <i>MAJ</i>	Elective 6 <i>MAJ</i>	Elective 6 <i>MAJ</i>	48510 Intro to Elec Eng 6 <i>MAJ</i>	48441 Intro Dig Sys 6 OR 48622 Mecha 1 6 48510 Intro Elec Eng <i>MAJ</i>	91400 Human Anat & Physiology 6 <i>MAJ</i> SPR	91703 Physio Systems 6 91400 HA & Physiology <i>MAJ</i> AUT	91705 Medical Devices 6 91400 Human Anatomy & Ph 68037 Physical Mod [C] <i>MAJ</i> SPR	Biomedical 6 Thread (Lvl 1 subject) <i>MAJ</i>	Elective 6 <i>MAJ</i>	Elective 6 <i>MAJ</i>
33130 Maths Mod 1 6 <i>Core</i>	33230 Maths Mod 2 6 33130 Maths Mod 1 <i>Core</i>	48240 Design & Inno Fundamentals 6 33130 Maths Mod 1 48230 Eng Comm <i>Core</i>	48110 Engineering Practice 1		48250 Eng Eco & Fin 6 48110 EE1 48230 Eng Comm 48240 Design&Inno Fund <i>Core</i>	48260 Eng Proi Man 6 48240 Design&Inno Fund 48122 EPR1 OR 96 CP <i>Core</i>	48270 Entrepreneur' & 6 Commercialisation 120cp <i>Core</i>		48130 Engineering Experience 2	48016 Capstone A 6 48260 Eng Pro M'Ment 48142 EPR2 [C] OR 144 CP <i>MAJ</i>	48026 Capstone B 6 48016 Capstone A <i>MAJ</i>																							
48230 Eng Comm 6 <i>Core</i>	48023 Programming 6 Fundamentals OR 48221 Engineering 6 Computations 33130 Maths Mod 1 <i>MAJ</i>	91161 Cell Biology 6 & Genetics <i>MAJ</i>			48520 Elec & Circuits 6 48510 Intro to Elec Eng 33130 Maths Mod 1 <i>MAJ</i>	Biomedical 6 Thread (Lvl 1 subject) <i>MAJ</i>	Biomedical 6 Thread (Lvl 1 subject) <i>MAJ</i>			Biomedical 6 Thread (Lvl 2 subject) <i>MAJ</i>	Biomedical 6 Thread (Lvl 2 subject) <i>MAJ</i>																							
65111 Chemistry 1 6 <i>MAJ</i>	68037 Phys Mod 6 <i>Core</i>	31061 Database Principles 6 <i>MAJ</i>			48541 Signal Theory 6 33230 Maths Mod 2 <i>MAJ</i>	41101 Fund of Biomed 6 48541 Signal Theory 48520 Electronics & Circuits 91400 Human Anatomy & Ph <i>MAJ</i> SPR	Biomedical 6 Thread (Lvl 1 subject) <i>MAJ</i>			Elective 6 <i>MAJ</i>	Elective 6 <i>MAJ</i>																							
48510 Intro to Elec Eng 6 <i>MAJ</i>	48441 Intro Dig Sys 6 OR 48622 Mecha 1 6 48510 Intro Elec Eng <i>MAJ</i>	91400 Human Anat & Physiology 6 <i>MAJ</i> SPR		91703 Physio Systems 6 91400 HA & Physiology <i>MAJ</i> AUT	91705 Medical Devices 6 91400 Human Anatomy & Ph 68037 Physical Mod [C] <i>MAJ</i> SPR	Biomedical 6 Thread (Lvl 1 subject) <i>MAJ</i>	Elective 6 <i>MAJ</i>	Elective 6 <i>MAJ</i>																										

 | | | |--|---| | 48121 EPP1 3
48230 Eng Comm [C]
& 1 CP
<i>EPP</i> | 48122 EPR1 3
48110 EE1
<i>EPP</i> | |--|---| | | | | |---|---| | 48141 EPP2 3
48122 EPR1 OR
48120 REP1
<i>EPP</i> | 48142 EPR2 3
48130 EE2
48141 EPP2
<i>EPP</i> | |---|---| |

UTS Timetable remains the definitive source on subject availability
Your study plan defines course requirements
For further assistance, contact Student Centre at 1300 275 887

UTS: Engineering Course Template

Course: C10061v6 BE Dip Eng Prac
Major: Biomedical Engineering

STM 90796 Biomedical Thread

CBK90881 Level 1 subjects

Choose 24 cp from the following

48623 Mechatronics 2 6 48622 <i>Mechatronics 1</i> OR 48441 <i>Intro Digital Sys</i> MAJ SPR	31050 Programming with Pattern 6 31061 <i>Database Principles</i> 48023 <i>Programming Fund</i> MAJ SPR	31706 Neuroscience 6 91703 <i>Physio Systems</i> MAJ AUT
31250 Intro to Data Analytics 6 MAJ AUT	31403 Medical Imaging 6 68037 <i>Physical Modelling</i> MAJ AUT	31005 Adv Data Analytics 6 31250 <i>Intro to Data Analytics</i> MAJ SPR

CBK90882 Level 2 subjects

Choose 12 cp from the following

42906 Bio Sig Proc'ing 6 120cp & 48541 <i>Signal Theory</i> OR 48540 <i>Signals and System</i> MAJ AUT	49274 Adv Robotics 6 48531 <i>Electromech Auto</i> 48430 <i>Embedded C</i> OR 48623 <i>Mechatronics 2</i> MAJ & 120 CP SPR	42001 Bioinformatics 6 41101 <i>Fund of Biomed Eng</i> 31005 <i>Advanced Data Analytic</i> & 120cp MAJ	49275 Neural Net & Fuzzy Logic 6 120 CP MAJ AUT	49261 Biomedical Instrumentation 6 120 CP MAJ SPR
--	--	--	---	---

UTS Timetable remains the definitive source on subject availability

Your study plan defines course requirements

For further assistance, contact Student Centre at 1300 275 887