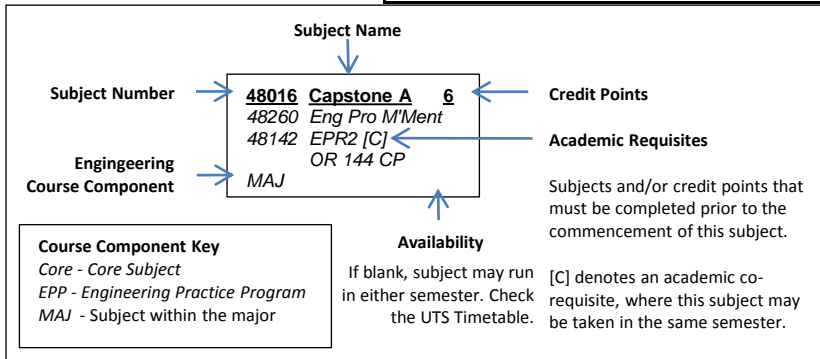


UTS: Engineering Course Template

Course: C10065v10 BE BBus
Major: Civil Engineering

C10068v9 BE BBus Dip Eng Prac

Stage 1	Stage 2	Stage 3	Stage 4	Stage 5	Stage 6	Stage 7	Stage 8	Stage 9	Stage 10	Stage 11	Stage 12																																		
<table border="1"> <tr> <td>33130 Maths Mod 1 6 <i>Core</i></td> <td>33230 Maths Mod 2 6 33130 Maths Mod 1 <i>Core</i></td> <td>48240 Design & Inno Fundamentals 6 33130 Maths Mod 1 48230 Eng Comm <i>Core</i></td> <td rowspan="4" style="writing-mode: vertical-rl; transform: rotate(180deg);">48110 Engineering Experience 1</td> <td>48331 Mech of Solids 6 48321 Eng Mechanics OR 48620 Fund Mech Eng <i>MAJ</i></td> <td>48260 Eng Proj Man 6 48240 Design&Inno Fund 48122 EPR1 OR 96 CP <i>Core</i></td> <td>Select one of: 6 48320 Surveying 48360 Geotechnical Eng 48362 Hydraulics & Hydr <i>MAJ</i></td> <td rowspan="4" style="writing-mode: vertical-rl; transform: rotate(180deg);">48130 Engineering Experience 2</td> <td>Select one of: 6 48320 Surveying 48360 Geotechnical Eng 48362 Hydraulics & Hydr <i>MAJ</i></td> <td>48353 Concrete Design 6 48349 Structural Analysis 48352 Construct'n Mat [C] <i>MAJ</i></td> <td>48016 Capstone A 6 48260 Eng Pro M'Ment 48142 EPR2 [C] OR 144 CP <i>MAJ</i></td> <td>48026 Capstone B 6 48016 Capstone A <i>MAJ</i></td> </tr> <tr> <td>48230 Eng Comm 6 <i>Core</i></td> <td>48321 Eng Mechanics 6 33130 Maths Mod 1 [C] 68037 Physical Mod [C] <i>MAJ</i></td> <td>22107 Accounting for Bus Decisions A 6 26100 Integ Bus Pers [C]</td> <td>48340 Construction 6 48310 Intro to Civil & Enviro Eng <i>MAJ</i></td> <td>48330 Soil Behaviour 6 48331 Mech of Solids [C] <i>MAJ</i></td> <td>48349 Structural Analysis 6 48331 Mech of Solids 33230 Maths Mod 2 <i>MAJ</i></td> <td>48349 Structural Analysis 6 48331 Mech of Solids 33230 Maths Mod 2 <i>MAJ</i></td> <td>48350 Enviro & San'n Eng 6 60101 Chem & Mat Sci OR 65111 Chemistry 1 <i>MAJ</i></td> <td>48366 Steel & Timber Design 6 48349 Structural Analysis 48352 Constr Mat [C] <i>MAJ</i></td> <td>48370 Road & Transport Eng 6 48330 Soil Behaviour <i>MAJ</i></td> <td>48389 Comp M&D 6 48366 S&T Des [C] 48353 Concrete Design & 144 CP <i>MAJ</i></td> </tr> <tr> <td>68037 Phys Mod 6 <i>Core</i></td> <td>26100 Integrating Business Persp 6</td> <td>24108 Marketing Foundations 6 26100 Integ Bus Pers [C]</td> <td>48641 Fluid Mech 6 33230 Maths Mod 2 <i>MAJ</i></td> <td>23115 Eco for Business 6 26100 Integ Bus Pers [C]</td> <td>22207 Accounting for Bus Decisions B 6 22107 Acc for Bus Dec A</td> <td>22207 Accounting for Bus Decisions B 6 22107 Acc for Bus Dec A</td> <td>Business Major 6</td> <td>Business Major 6</td> <td>Business Major 6</td> <td>Business Major 6</td> </tr> <tr> <td>48310 Intro to Civil & Enviro Eng 6 <i>MAJ</i></td> <td>60101 Chem & Materials Sci 6 <i>MAJ</i></td> <td>48221 Engineering Computations 6 33130 Maths Mod 1 <i>MAJ</i></td> <td>48352 Constr Mat 6 33230 Maths Mod 2 65111 Chemistry 1 OR 60101 Chem & Mat Sci <i>MAJ</i></td> <td>25300 Fund of Business Finance 6 26100 Integ Bus Pers [C]</td> <td>21129 Managing People and organisation 6 26100 Integ Bus Pers [C]</td> <td>21129 Managing People and organisation 6 26100 Integ Bus Pers [C]</td> <td>Business Major 6</td> <td>Business Major 6</td> <td>Business Major 6</td> <td>Business Major 6</td> </tr> </table>	33130 Maths Mod 1 6 <i>Core</i>	33230 Maths Mod 2 6 33130 Maths Mod 1 <i>Core</i>	48240 Design & Inno Fundamentals 6 33130 Maths Mod 1 48230 Eng Comm <i>Core</i>	48110 Engineering Experience 1	48331 Mech of Solids 6 48321 Eng Mechanics OR 48620 Fund Mech Eng <i>MAJ</i>	48260 Eng Proj Man 6 48240 Design&Inno Fund 48122 EPR1 OR 96 CP <i>Core</i>	Select one of: 6 48320 Surveying 48360 Geotechnical Eng 48362 Hydraulics & Hydr <i>MAJ</i>	48130 Engineering Experience 2	Select one of: 6 48320 Surveying 48360 Geotechnical Eng 48362 Hydraulics & Hydr <i>MAJ</i>	48353 Concrete Design 6 48349 Structural Analysis 48352 Construct'n Mat [C] <i>MAJ</i>	48016 Capstone A 6 48260 Eng Pro M'Ment 48142 EPR2 [C] OR 144 CP <i>MAJ</i>	48026 Capstone B 6 48016 Capstone A <i>MAJ</i>	48230 Eng Comm 6 <i>Core</i>	48321 Eng Mechanics 6 33130 Maths Mod 1 [C] 68037 Physical Mod [C] <i>MAJ</i>	22107 Accounting for Bus Decisions A 6 26100 Integ Bus Pers [C]	48340 Construction 6 48310 Intro to Civil & Enviro Eng <i>MAJ</i>	48330 Soil Behaviour 6 48331 Mech of Solids [C] <i>MAJ</i>	48349 Structural Analysis 6 48331 Mech of Solids 33230 Maths Mod 2 <i>MAJ</i>	48349 Structural Analysis 6 48331 Mech of Solids 33230 Maths Mod 2 <i>MAJ</i>	48350 Enviro & San'n Eng 6 60101 Chem & Mat Sci OR 65111 Chemistry 1 <i>MAJ</i>	48366 Steel & Timber Design 6 48349 Structural Analysis 48352 Constr Mat [C] <i>MAJ</i>	48370 Road & Transport Eng 6 48330 Soil Behaviour <i>MAJ</i>	48389 Comp M&D 6 48366 S&T Des [C] 48353 Concrete Design & 144 CP <i>MAJ</i>	68037 Phys Mod 6 <i>Core</i>	26100 Integrating Business Persp 6	24108 Marketing Foundations 6 26100 Integ Bus Pers [C]	48641 Fluid Mech 6 33230 Maths Mod 2 <i>MAJ</i>	23115 Eco for Business 6 26100 Integ Bus Pers [C]	22207 Accounting for Bus Decisions B 6 22107 Acc for Bus Dec A	22207 Accounting for Bus Decisions B 6 22107 Acc for Bus Dec A	Business Major 6	Business Major 6	Business Major 6	Business Major 6	48310 Intro to Civil & Enviro Eng 6 <i>MAJ</i>	60101 Chem & Materials Sci 6 <i>MAJ</i>	48221 Engineering Computations 6 33130 Maths Mod 1 <i>MAJ</i>	48352 Constr Mat 6 33230 Maths Mod 2 65111 Chemistry 1 OR 60101 Chem & Mat Sci <i>MAJ</i>	25300 Fund of Business Finance 6 26100 Integ Bus Pers [C]	21129 Managing People and organisation 6 26100 Integ Bus Pers [C]	21129 Managing People and organisation 6 26100 Integ Bus Pers [C]	Business Major 6	Business Major 6	Business Major 6	Business Major 6
33130 Maths Mod 1 6 <i>Core</i>	33230 Maths Mod 2 6 33130 Maths Mod 1 <i>Core</i>	48240 Design & Inno Fundamentals 6 33130 Maths Mod 1 48230 Eng Comm <i>Core</i>	48110 Engineering Experience 1		48331 Mech of Solids 6 48321 Eng Mechanics OR 48620 Fund Mech Eng <i>MAJ</i>	48260 Eng Proj Man 6 48240 Design&Inno Fund 48122 EPR1 OR 96 CP <i>Core</i>	Select one of: 6 48320 Surveying 48360 Geotechnical Eng 48362 Hydraulics & Hydr <i>MAJ</i>		48130 Engineering Experience 2	Select one of: 6 48320 Surveying 48360 Geotechnical Eng 48362 Hydraulics & Hydr <i>MAJ</i>	48353 Concrete Design 6 48349 Structural Analysis 48352 Construct'n Mat [C] <i>MAJ</i>	48016 Capstone A 6 48260 Eng Pro M'Ment 48142 EPR2 [C] OR 144 CP <i>MAJ</i>	48026 Capstone B 6 48016 Capstone A <i>MAJ</i>																																
48230 Eng Comm 6 <i>Core</i>	48321 Eng Mechanics 6 33130 Maths Mod 1 [C] 68037 Physical Mod [C] <i>MAJ</i>	22107 Accounting for Bus Decisions A 6 26100 Integ Bus Pers [C]			48340 Construction 6 48310 Intro to Civil & Enviro Eng <i>MAJ</i>	48330 Soil Behaviour 6 48331 Mech of Solids [C] <i>MAJ</i>	48349 Structural Analysis 6 48331 Mech of Solids 33230 Maths Mod 2 <i>MAJ</i>			48349 Structural Analysis 6 48331 Mech of Solids 33230 Maths Mod 2 <i>MAJ</i>	48350 Enviro & San'n Eng 6 60101 Chem & Mat Sci OR 65111 Chemistry 1 <i>MAJ</i>	48366 Steel & Timber Design 6 48349 Structural Analysis 48352 Constr Mat [C] <i>MAJ</i>	48370 Road & Transport Eng 6 48330 Soil Behaviour <i>MAJ</i>	48389 Comp M&D 6 48366 S&T Des [C] 48353 Concrete Design & 144 CP <i>MAJ</i>																															
68037 Phys Mod 6 <i>Core</i>	26100 Integrating Business Persp 6	24108 Marketing Foundations 6 26100 Integ Bus Pers [C]			48641 Fluid Mech 6 33230 Maths Mod 2 <i>MAJ</i>	23115 Eco for Business 6 26100 Integ Bus Pers [C]	22207 Accounting for Bus Decisions B 6 22107 Acc for Bus Dec A			22207 Accounting for Bus Decisions B 6 22107 Acc for Bus Dec A	Business Major 6	Business Major 6	Business Major 6	Business Major 6																															
48310 Intro to Civil & Enviro Eng 6 <i>MAJ</i>	60101 Chem & Materials Sci 6 <i>MAJ</i>	48221 Engineering Computations 6 33130 Maths Mod 1 <i>MAJ</i>		48352 Constr Mat 6 33230 Maths Mod 2 65111 Chemistry 1 OR 60101 Chem & Mat Sci <i>MAJ</i>	25300 Fund of Business Finance 6 26100 Integ Bus Pers [C]	21129 Managing People and organisation 6 26100 Integ Bus Pers [C]	21129 Managing People and organisation 6 26100 Integ Bus Pers [C]	Business Major 6		Business Major 6	Business Major 6	Business Major 6																																	

| | | 48121 EPP1 3 48230 Eng Comm [C] & 1 CP *EPP* | 48121 EPP1 3 48110 EE1 *EPP* | 48122 EPR1 3 48110 EE1 *EPP* | 48141 EPP2 3 48122 EPR1 OR 48120 REP1 *EPP* | 48141 EPP2 3 48122 EPR1 OR 48120 REP1 *EPP* | 48142 EPR2 3 48130 EE2 48141 EPP2 *EPP* | 48100 Professional Practice 0 126 CP | | | |


UTS Timetable remains the definitive source on subject availability
Your study plan defines course requirements
For further assistance, contact Student Centre at 1300 275 887