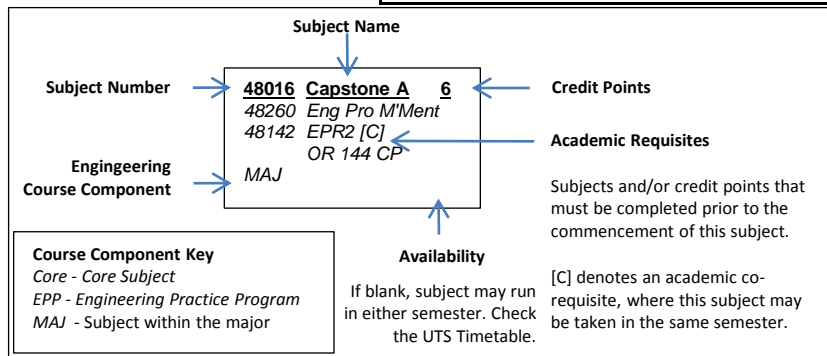


UTS: Engineering Course Template

Course: C10065v10 BE BBus
Major: ICT - Network Security

C10068v9 BE BBus Dip Eng Prac

Stage 1	Stage 2	Stage 3	Stage 4	Stage 5	Stage 6	Stage 7	Stage 8	Stage 9	Stage 10	Stage 11	Stage 12		
33130 Maths Mod 1 6 <i>Core</i>	33230 Maths Mod 2 6 33130 Maths Mod 1 <i>Core</i>	48240 Design & Inno Fundamentals 6 33130 Maths Mod 1 48230 Eng Comm <i>Core</i>	48110 Engineering Experience 1	48441 Intro Digital Sys 6 48510 Intro Elec Eng <i>MAJ</i>	48260 Eng Proj Man 6 48240 Design&Inno Fund 48122 EPR1 OR 96 CP <i>Core</i>	48436 Digital Forensic 6 48730 Network Security <i>MAJ</i> SPR	48130 Engineering Experience 2	31275 Mobile Networking 6 48720 Network Fundamenta <i>MAJ</i> SPR	48210 Interrogating Technology 6 48250 Eng Eco & Fin OR 25115 Eco for Business <i>MAJ</i> SPR	48016 Capstone A 6 48260 Eng Pro M'Ment 48142 EPR2 [C] OR 144 CP <i>MAJ</i>	48026 Capstone B 6 48016 Capstone A <i>MAJ</i>		
48230 Eng Comm 6 <i>Core</i>	48023 Programming Fundamentals 6 <i>MAJ</i>	22107 Accounting for Bus Decisions A 6 26100 Integ Bus Pers [C]		48541 Signal Theory 6 33230 Maths Mod 2 <i>MAJ</i>	48730 Network Securit 6 48740 Comm Networks OR 31277 Routing & Internet OR 31471 Networking 2 <i>MAJ</i> AUT	41900 Fundamentals of Security 6 48410 Intro ICT Eng OR 48720 Network Fund <i>MAJ</i>		48720 Network Fundamenta <i>MAJ</i>	48750 Network Plan & Management 6 48740 Comm Networks 33230 Maths Mod 2 <i>MAJ</i> SPR	48471 ICT Analysis 6 48240 Design&Inno Fund & 120 CP <i>MAJ</i>	48481 ICT Design 6 48471 ICT Analysis <i>MAJ</i>		
68037 Phys Mod 6 <i>Core</i>	26100 Integrating Business Persp 6	24108 Marketing Foundations 6 26100 Integ Bus Pers [C]		48740 Comm Networks 6 48720 Network Fund <i>MAJ</i> AUT	23115 Eco for Business 6 26100 Integ Bus Pers [C]	22207 Accounting for Bus Decisions B 6 22107 Acc for Bus Dec A		Business Major 6	Business Major 6	Business Major 6	Business Major 6	Business Major 6	Business Major 6
48410 Intro to ICT Eng 6 <i>MAJ</i> AUT	48720 Network Fundamentals 6 <i>MAJ</i> SPR	48510 Intro to Elec Eng 6 <i>MAJ</i>		ICT Choice 6 <i>MAJ</i>	25300 Fund of Business Finance 6 26100 Integ Bus Pers [C]	21129 Managing People and organisation 6 26100 Integ Bus Pers [C]		Business Major 6	Business Major 6	Business Major 6	Business Major 6	Business Major 6	Business Major 6
		48121 EPP1 3 48230 Eng Comm [C] & 1 CP <i>EPP</i>	48121 EPP1 <i>EPP</i>	48122 EPR1 3 48110 EE1 <i>EPP</i>	48141 EPP2 3 48122 EPR1 OR 48120 REP1 <i>EPP</i>	48141 EPP2 <i>EPP</i>	48142 EPR2 3 48130 EE2 48141 EPP2 <i>EPP</i>			48100 Professional Practice 0 126 CP			



UTS Timetable remains the definitive source on subject availability
Your study plan defines course requirements
For further assistance, contact Student Centre at 1300 275 887

ICT Choice

Select 12 CP from the following

48024 Applications Programming 48023 Programming Fundamentals AUT	48451 Adv Digital Systems 48441 Intro Digital Sys AUT	48770 Continuous Communications 48541 Signal Theory OR 48540 Signals and Sys AUT
48430 Embedded C 48441 Intro Digital Sys [C] SPR	48520 Elec & Circuits 48510 Intro to Elec Eng 33130 Maths Mod 1 SPR	48771 Discrete Comm 48541 Signal Theory SPR
48433 Software Architi 48440 Software Eng Prac O 48024 Applications Program SPR	48570 Data Acq Dist 48441 Intro Digital Sys 48540 Signals and Sys OR 48520 Elec & Circuits AND 48541 Sig Theory AUT	48780 Mobile Comm 48770 Continuous Comm AUT
48434 Embedded Software 48430 Embedded C AUT	48730 Network Securit 48740 Comm Networks OR 31277 Routing & Internet OR 31471 Networking 2 AUT	48450 Real-Time Oper'n Sys 48434 Embedded S'ware AUT
48440 Software Engg Pr 48024 Applications Programming SPR	48740 Comm Networks 48720 Network Fund AUT	48750 Network Plan & Management 48740 Comm Networks 33230 Maths Mod 2 SPR
31275 Mobile Networking 48720 Network Fundamenta MAJ SPR	48436 Digital Forensic 48730 Network Security MAJ SPR	41900 Fundamentals of Security 48410 Intro ICT Eng OR 48720 Network Fund MAJ

UTS Timetable remains the definitive source on subject availability
 Your study plan defines course requirements
 For further assistance, contact Student Centre at 1300 275 887