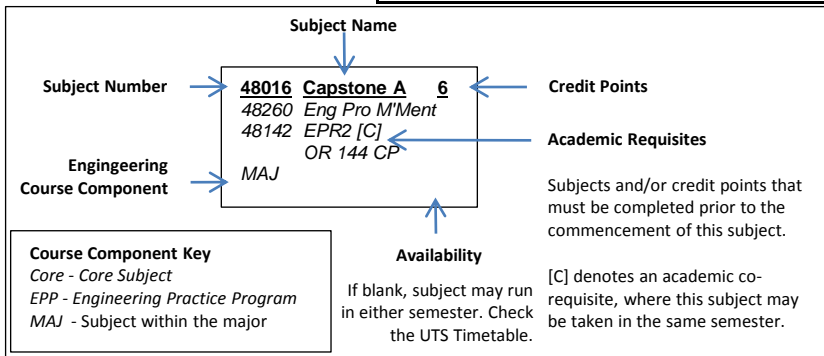


UTS: Engineering Course Template

Course: C10065v10 BE BBus
Major: ICT - Telecommunications Engineering

C10068v9 BE BBus Dip Eng Prac

Stage 1	Stage 2	Stage 3	Stage 4	Stage 5	Stage 6	Stage 7	Stage 8	Stage 9	Stage 10	Stage 11	Stage 12																																																																																																																																																																																																																																																																						
<table border="1"> <tr> <td>33130 Maths Mod 1</td> <td>6</td> <td>33230 Maths Mod 2</td> <td>6</td> <td>48240 Design & Inno Fundamentals</td> <td>6</td> </tr> <tr> <td></td> <td></td> <td>33130 Maths Mod 1</td> <td></td> <td>33130 Maths Mod 1</td> <td></td> </tr> <tr> <td></td> <td></td> <td>48230 Eng Comm</td> <td></td> <td>48230 Eng Comm</td> <td></td> </tr> <tr> <td>Core</td> <td></td> <td>Core</td> <td></td> <td>Core</td> <td></td> </tr> </table>	33130 Maths Mod 1	6	33230 Maths Mod 2	6	48240 Design & Inno Fundamentals	6			33130 Maths Mod 1		33130 Maths Mod 1				48230 Eng Comm		48230 Eng Comm		Core		Core		Core		<table border="1"> <tr> <td>48230 Eng Comm</td> <td>6</td> <td>48023 Programming Fundamentals</td> <td>6</td> <td>22107 Accounting for Bus Decisions A</td> <td>6</td> </tr> <tr> <td></td> <td></td> <td></td> <td></td> <td>26100 Integ Bus Pers [C]</td> <td></td> </tr> <tr> <td>Core</td> <td></td> <td>MAJ</td> <td></td> <td></td> <td></td> </tr> </table>	48230 Eng Comm	6	48023 Programming Fundamentals	6	22107 Accounting for Bus Decisions A	6					26100 Integ Bus Pers [C]		Core		MAJ				<table border="1"> <tr> <td>68037 Phys Mod</td> <td>6</td> <td>26100 Integrating Business Persp</td> <td>6</td> <td>24108 Marketing Foundations</td> <td>6</td> </tr> <tr> <td></td> <td></td> <td></td> <td></td> <td>26100 Integ Bus Pers [C]</td> <td></td> </tr> <tr> <td>Core</td> <td></td> <td></td> <td></td> <td></td> <td></td> </tr> </table>	68037 Phys Mod	6	26100 Integrating Business Persp	6	24108 Marketing Foundations	6					26100 Integ Bus Pers [C]		Core						48110 Engineering Experience 1	<table border="1"> <tr> <td>48441 Intro Digital Sys</td> <td>6</td> <td>48260 Eng Proj Man</td> <td>6</td> <td>48771 Discrete Comm</td> <td>6</td> </tr> <tr> <td>48510 Intro Elec Eng</td> <td></td> <td>48240 Design&Inno Fund</td> <td></td> <td>48541 Signal Theory</td> <td></td> </tr> <tr> <td></td> <td></td> <td>48122 EPR1 OR 96 CP</td> <td></td> <td>48541 Signal Theory OR 48540 Signals and Sys</td> <td></td> </tr> <tr> <td>MAJ</td> <td></td> <td>Core</td> <td></td> <td>MAJ</td> <td>SPR</td> </tr> </table>	48441 Intro Digital Sys	6	48260 Eng Proj Man	6	48771 Discrete Comm	6	48510 Intro Elec Eng		48240 Design&Inno Fund		48541 Signal Theory				48122 EPR1 OR 96 CP		48541 Signal Theory OR 48540 Signals and Sys		MAJ		Core		MAJ	SPR	<table border="1"> <tr> <td>48541 Signal Theory</td> <td>6</td> <td>48770 Continuous Communications</td> <td>6</td> <td>48780 Mobile Comm</td> <td>6</td> </tr> <tr> <td>33230 Maths Mod 2</td> <td></td> <td>48541 Signal Theory OR 48540 Signals and Sys</td> <td></td> <td>48770 Continuous Comm</td> <td></td> </tr> <tr> <td>MAJ</td> <td></td> <td>MAJ</td> <td>AUT</td> <td>MAJ</td> <td>AUT</td> </tr> </table>	48541 Signal Theory	6	48770 Continuous Communications	6	48780 Mobile Comm	6	33230 Maths Mod 2		48541 Signal Theory OR 48540 Signals and Sys		48770 Continuous Comm		MAJ		MAJ	AUT	MAJ	AUT	<table border="1"> <tr> <td>48740 Comm Networks</td> <td>6</td> <td>23115 Eco for Business</td> <td>6</td> <td>22207 Accounting for Bus Decisions B</td> <td>6</td> </tr> <tr> <td>48720 Network Fund</td> <td></td> <td>26100 Integ Bus Pers [C]</td> <td></td> <td>22107 Acc for Bus Dec A</td> <td></td> </tr> <tr> <td>MAJ</td> <td>AUT</td> <td></td> <td></td> <td></td> <td></td> </tr> </table>	48740 Comm Networks	6	23115 Eco for Business	6	22207 Accounting for Bus Decisions B	6	48720 Network Fund		26100 Integ Bus Pers [C]		22107 Acc for Bus Dec A		MAJ	AUT					48130 Engineering Experience 2	<table border="1"> <tr> <td>31275 Mobile Networking</td> <td>6</td> <td>48210 Interrogating Technology</td> <td>6</td> <td>48016 Capstone A</td> <td>6</td> </tr> <tr> <td>48720 Network Fundamentals</td> <td></td> <td>48250 Eng Eco & Fin OR 25115 Eco for Business</td> <td></td> <td>48260 Eng Pro M'Ment</td> <td></td> </tr> <tr> <td>MAJ</td> <td></td> <td>MAJ</td> <td>SPR</td> <td>MAJ</td> <td></td> </tr> </table>	31275 Mobile Networking	6	48210 Interrogating Technology	6	48016 Capstone A	6	48720 Network Fundamentals		48250 Eng Eco & Fin OR 25115 Eco for Business		48260 Eng Pro M'Ment		MAJ		MAJ	SPR	MAJ		<table border="1"> <tr> <td>ICT Choice</td> <td>6</td> <td>48750 Network Plan & Management</td> <td>6</td> <td>48471 ICT Analysis</td> <td>6</td> </tr> <tr> <td></td> <td></td> <td>48740 Comm Networks</td> <td></td> <td>48240 Design&Inno Fund & 120 CP</td> <td></td> </tr> <tr> <td>MAJ</td> <td></td> <td>MAJ</td> <td>SPR</td> <td>MAJ</td> <td></td> </tr> </table>	ICT Choice	6	48750 Network Plan & Management	6	48471 ICT Analysis	6			48740 Comm Networks		48240 Design&Inno Fund & 120 CP		MAJ		MAJ	SPR	MAJ		<table border="1"> <tr> <td>Business Major</td> <td>6</td> <td>Business Major</td> <td>6</td> <td>Business Major</td> <td>6</td> </tr> <tr> <td></td> <td></td> <td></td> <td></td> <td></td> <td></td> </tr> <tr> <td></td> <td></td> <td></td> <td></td> <td></td> <td></td> </tr> </table>	Business Major	6	Business Major	6	Business Major	6													<table border="1"> <tr> <td>Business Major</td> <td>6</td> <td>Business Major</td> <td>6</td> <td>Business Major</td> <td>6</td> </tr> <tr> <td></td> <td></td> <td></td> <td></td> <td></td> <td></td> </tr> <tr> <td></td> <td></td> <td></td> <td></td> <td></td> <td></td> </tr> </table>	Business Major	6	Business Major	6	Business Major	6													<table border="1"> <tr> <td>Business Major</td> <td>6</td> <td>Business Major</td> <td>6</td> <td>Business Major</td> <td>6</td> </tr> <tr> <td></td> <td></td> <td></td> <td></td> <td></td> <td></td> </tr> <tr> <td></td> <td></td> <td></td> <td></td> <td></td> <td></td> </tr> </table>	Business Major	6	Business Major	6	Business Major	6													<table border="1"> <tr> <td>Business Major</td> <td>6</td> <td>Business Major</td> <td>6</td> <td>Business Major</td> <td>6</td> </tr> <tr> <td></td> <td></td> <td></td> <td></td> <td></td> <td></td> </tr> <tr> <td></td> <td></td> <td></td> <td></td> <td></td> <td></td> </tr> </table>	Business Major	6	Business Major	6	Business Major	6													<table border="1"> <tr> <td>48121 EPP1</td> <td>3</td> <td>48122 EPR1</td> <td>3</td> <td>48141 EPP2</td> <td>3</td> </tr> <tr> <td>48230 Eng Comm [C] & 1 CP</td> <td></td> <td>48121 EPP1</td> <td></td> <td>48122 EPR1 OR 48120 REP1</td> <td></td> </tr> <tr> <td>EPP</td> <td></td> <td>EPP</td> <td></td> <td>EPP</td> <td></td> </tr> </table>	48121 EPP1	3	48122 EPR1	3	48141 EPP2	3	48230 Eng Comm [C] & 1 CP		48121 EPP1		48122 EPR1 OR 48120 REP1		EPP		EPP		EPP		<table border="1"> <tr> <td>48142 EPR2</td> <td>3</td> <td>48100 Professional Practice</td> <td>0</td> </tr> <tr> <td>48141 EPP2</td> <td></td> <td>48100 Professional Practice 126 CP</td> <td></td> </tr> <tr> <td>EPP</td> <td></td> <td></td> <td></td> </tr> </table>	48142 EPR2	3	48100 Professional Practice	0	48141 EPP2		48100 Professional Practice 126 CP		EPP			
33130 Maths Mod 1	6	33230 Maths Mod 2	6	48240 Design & Inno Fundamentals	6																																																																																																																																																																																																																																																																												
		33130 Maths Mod 1		33130 Maths Mod 1																																																																																																																																																																																																																																																																													
		48230 Eng Comm		48230 Eng Comm																																																																																																																																																																																																																																																																													
Core		Core		Core																																																																																																																																																																																																																																																																													
48230 Eng Comm	6	48023 Programming Fundamentals	6	22107 Accounting for Bus Decisions A	6																																																																																																																																																																																																																																																																												
				26100 Integ Bus Pers [C]																																																																																																																																																																																																																																																																													
Core		MAJ																																																																																																																																																																																																																																																																															
68037 Phys Mod	6	26100 Integrating Business Persp	6	24108 Marketing Foundations	6																																																																																																																																																																																																																																																																												
				26100 Integ Bus Pers [C]																																																																																																																																																																																																																																																																													
Core																																																																																																																																																																																																																																																																																	
48441 Intro Digital Sys	6	48260 Eng Proj Man	6	48771 Discrete Comm	6																																																																																																																																																																																																																																																																												
48510 Intro Elec Eng		48240 Design&Inno Fund		48541 Signal Theory																																																																																																																																																																																																																																																																													
		48122 EPR1 OR 96 CP		48541 Signal Theory OR 48540 Signals and Sys																																																																																																																																																																																																																																																																													
MAJ		Core		MAJ	SPR																																																																																																																																																																																																																																																																												
48541 Signal Theory	6	48770 Continuous Communications	6	48780 Mobile Comm	6																																																																																																																																																																																																																																																																												
33230 Maths Mod 2		48541 Signal Theory OR 48540 Signals and Sys		48770 Continuous Comm																																																																																																																																																																																																																																																																													
MAJ		MAJ	AUT	MAJ	AUT																																																																																																																																																																																																																																																																												
48740 Comm Networks	6	23115 Eco for Business	6	22207 Accounting for Bus Decisions B	6																																																																																																																																																																																																																																																																												
48720 Network Fund		26100 Integ Bus Pers [C]		22107 Acc for Bus Dec A																																																																																																																																																																																																																																																																													
MAJ	AUT																																																																																																																																																																																																																																																																																
31275 Mobile Networking	6	48210 Interrogating Technology	6	48016 Capstone A	6																																																																																																																																																																																																																																																																												
48720 Network Fundamentals		48250 Eng Eco & Fin OR 25115 Eco for Business		48260 Eng Pro M'Ment																																																																																																																																																																																																																																																																													
MAJ		MAJ	SPR	MAJ																																																																																																																																																																																																																																																																													
ICT Choice	6	48750 Network Plan & Management	6	48471 ICT Analysis	6																																																																																																																																																																																																																																																																												
		48740 Comm Networks		48240 Design&Inno Fund & 120 CP																																																																																																																																																																																																																																																																													
MAJ		MAJ	SPR	MAJ																																																																																																																																																																																																																																																																													
Business Major	6	Business Major	6	Business Major	6																																																																																																																																																																																																																																																																												
Business Major	6	Business Major	6	Business Major	6																																																																																																																																																																																																																																																																												
Business Major	6	Business Major	6	Business Major	6																																																																																																																																																																																																																																																																												
Business Major	6	Business Major	6	Business Major	6																																																																																																																																																																																																																																																																												
48121 EPP1	3	48122 EPR1	3	48141 EPP2	3																																																																																																																																																																																																																																																																												
48230 Eng Comm [C] & 1 CP		48121 EPP1		48122 EPR1 OR 48120 REP1																																																																																																																																																																																																																																																																													
EPP		EPP		EPP																																																																																																																																																																																																																																																																													
48142 EPR2	3	48100 Professional Practice	0																																																																																																																																																																																																																																																																														
48141 EPP2		48100 Professional Practice 126 CP																																																																																																																																																																																																																																																																															
EPP																																																																																																																																																																																																																																																																																	



UTS Timetable remains the definitive source on subject availability
Your study plan defines course requirements
For further assistance, contact Student Centre at 1300 275 887

ICT Choice

Select 12 CP from the following

48024 Applications Programming 48023 Programming Fundamentals AUT	48451 Adv Digital Systems 48441 Intro Digital Sys AUT	48770 Continuous Communications 48541 Signal Theory OR 48540 Signals and Sys AUT
48430 Embedded C 48441 Intro Digital Sys [C] SPR	48520 Elec & Circuits 48510 Intro to Elec Eng 33130 Maths Mod 1 SPR	48771 Discrete Comm 48541 Signal Theory SPR
48433 Software Architi 48440 Software Eng Prac O 48024 Applications Program SPR	48570 Data Acq Dist 48441 Intro Digital Sys 48540 Signals and Sys OR 48520 Elec & Circuits AND 48541 Sig Theory AUT	48780 Mobile Comm 48770 Continuous Comm AUT
48434 Embedded Software 48430 Embedded C AUT	48730 Network Securit 48740 Comm Networks OR 31277 Routing & Internet OR 31471 Networking 2 AUT	48450 Real-Time Oper'n Sys 48434 Embedded S'ware AUT
48440 Software Engg Pr 48024 Applications Programming SPR	48740 Comm Networks 48720 Network Fund AUT	48750 Network Plan & Management 48740 Comm Networks 33230 Maths Mod 2 SPR
31275 Mobile Networking 48720 Network Fundamenta MAJ SPR	48436 Digital Forensic 48730 Network Security MAJ SPR	41900 Fundamentals of Security 48410 Intro ICT Eng OR 48720 Network Fund MAJ

UTS Timetable remains the definitive source on subject availability
 Your study plan defines course requirements
 For further assistance, contact Student Centre at 1300 275 887